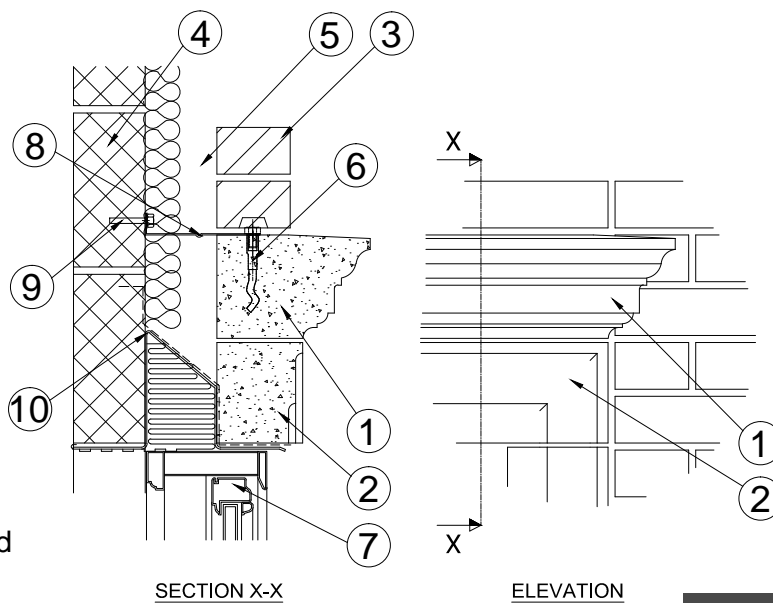


TYPICAL ELEVATION



SECTION X-X

ELEVATION

ENLARGED DETAILS

LEGEND:

- 1: - Decorative Stone Hood
- 2: - Non-structural Stone Head
- 3: - External Brickwork
- 4: - Internal Blockwork
- 5: - Cavity/Insulation
- 6: - Lifting socket used as bolted fixing
- 7: - Window Frame
- 8: - Stainless steel restraints
- 9: - Plug & screw fixings back to blockwork
- 10: - Supporting Steel Lintel

VOBSTER
ARCHITECTURAL

Vobster Architectural
Newbury Works
Coleford, Radstock
Somerset, BA3 5RX
T/ +44 (0)203 968 7058
E/ enquiries@vobsterarchitectural.co.uk
W/ www.vobsterarchitectural.co.uk